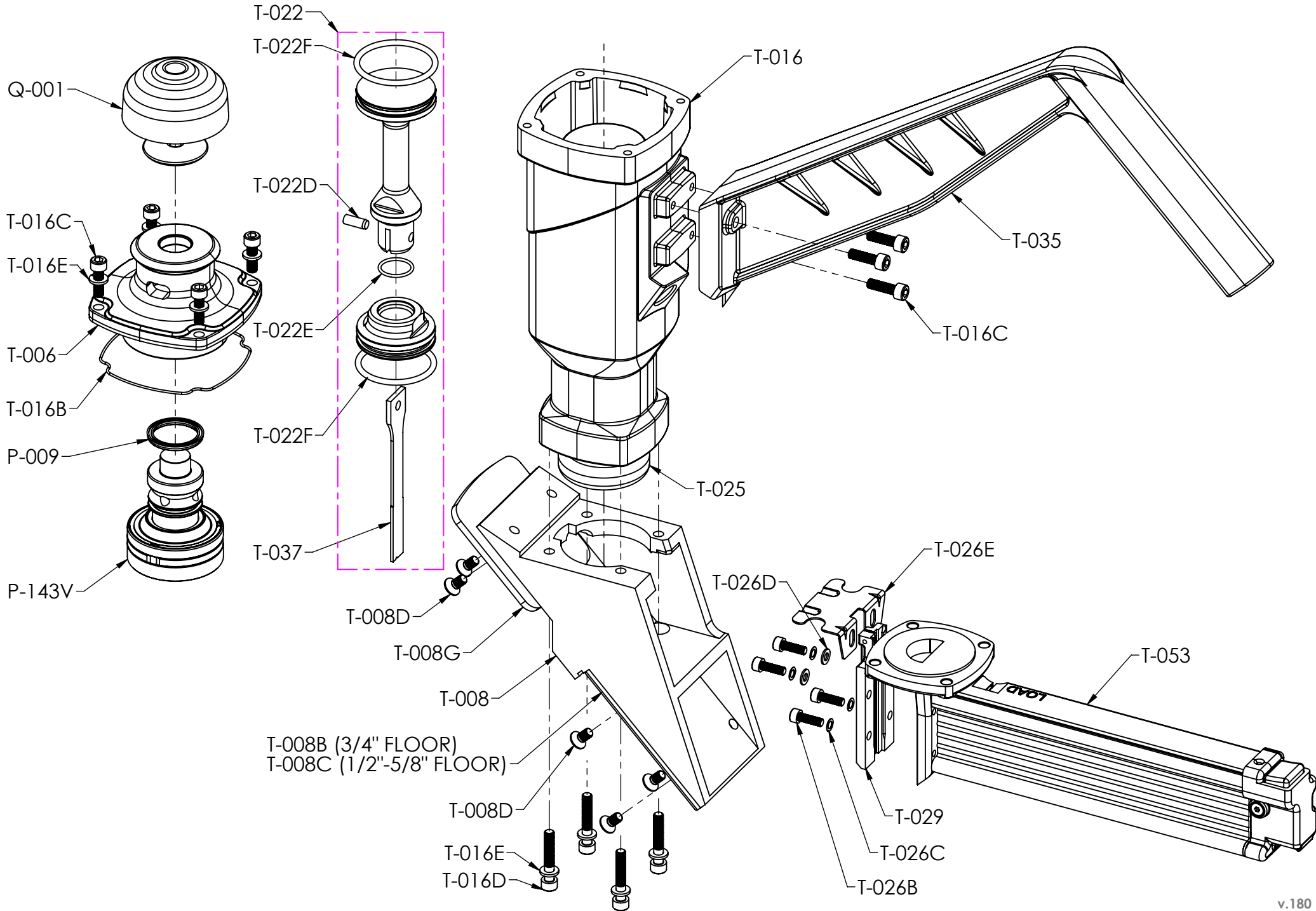


FNS-200





FNS-200

| Part # | Description | Notes |
|--------|----------------------|--|
| H-084 | Head cap | See Installation instructions. |
| P-009 | Seal | |
| P-143V | Valve assembly | Complete with actuator. |
| P-080 | Mallet | |
| Q-001 | Head cap | |
| T-006 | Head | |
| T-008 | Base | |
| T-008B | Adaptor plate | For 3/4" flooring installation |
| T-008C | Adaptor plate | For 1/2" to 5/8" flooring installation |
| T-008D | Screw | |
| T-008G | Plate | |
| T-016 | Main body | |
| T-016B | Head gasket | |
| T-016C | Screw | |
| T-016D | Screw | |
| T-016E | Lock washer | |
| T-022 | Piston Assembly | Complete piston and blade |
| T-022A | Piston upper section | Not sold separately; order T-022 |
| T-022B | Piston lower section | Not sold separately; order T-022 |
| T-022D | Pin | |
| T-022E | O-ring | |
| T-022F | Piston o-ring | |
| T-025 | Bumper | |
| T-026B | Screw | |
| T-026C | Lock washer | |
| T-026D | Washer | |
| T-026E | Deflector | |
| T-029 | Gate plate | |
| T-035 | Long handle | |
| T-037 | Driving blade | Includes T-022D |
| T-053 | Magazine | Complete magazine (includes T-029) |