

PARTS LEGEND

IM90i

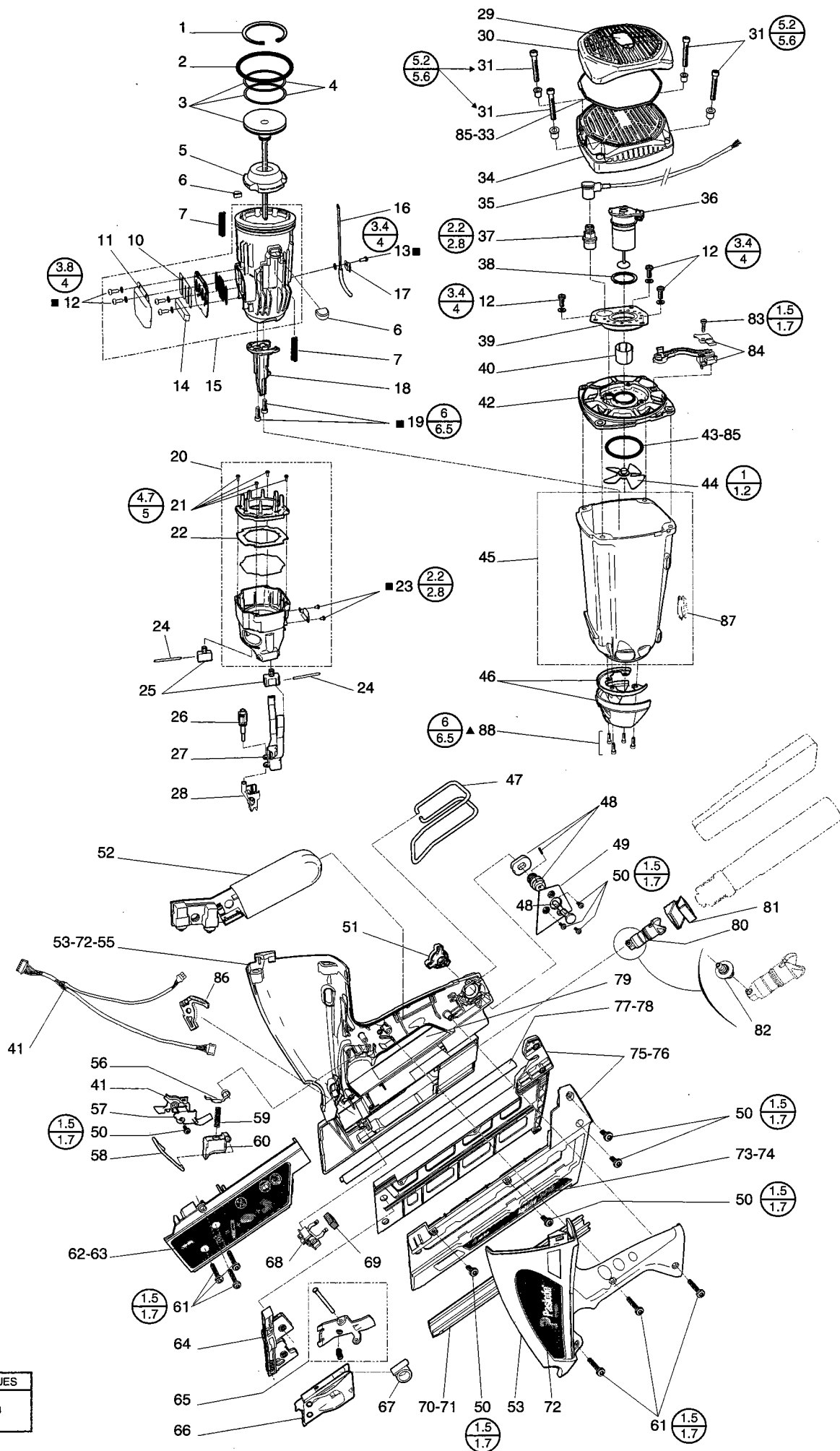
Part No. 010332 (EU), 010333(UK)

1	336680	1	Retainer ring	56	013734	1	Contact level
2	013743	1	Cylinder o-ring	57	013785	1	Contact plate
3	013735	1	Piston assembly	58	013784	1	Combustion chamber lock bar
4	336670	2	Piston ring	59	013783	1	Trigger spring
5	013778	1	Bumper	60	013782	1	Trigger
6	013758	2	Rubber stop	61	013799	6	Screw Eco-syn Torx 4x25
7	013779	2	Combustion chamber spring	62	013776	1	Handle cover assembly
10	336560	1	Reed valve	63	013777	1	Under magazine label
11	336580	1	Muffler cover	64	013741	1	Shear block
■ 12	405141	5	Screw swage form 4-11	65	013761	1	Follower assembly
■ 13	405140	1	Screw swage form 4-9	66	013762	1	Follower bottom assembly
14	336570	1	Muffler	67	013767	1	Follower spring
15	013751	1	Cylinder assembly	68	013746	1	Battery electrical connection ass.
16	013737	1	Injection pipe assembly	69	401450	1	Battery pad
17	013738	1	Bracket fuel line	70	013764	1	Cover plate magazine (short)
18	013757	1	Nose	71	013765	1	Cover plate magazine (long)
■ 19	013796	2	Screw CHC M5-16	72	013772	1	Assembly carter labels
20	013749	1	Combustion Chamber Assembly	73	013794	1	Magazine label (short)
21	900456	4	Screw swage form 4-15	74	013801	1	Magazine label (long)
22	013750	1	Seal	75	013759	1	Magazine assembly (short)
23	013805	1	Screw taptite 4x8	76	013760	1	Magazine assembly (long)
24	013781	2	Combustion chamber stop pin	77	013763	1	Nail channel (short)
25	013780	2	Combustion chamber stop assembly	78	013766	1	Nail channel (long)
26	013742	1	Knob assembly	79	013775	1	Nameplate label
27	013744	1	Upper probe assembly	80	013771	1	Electrovalve assembly
28	013745	1	Probe	81	013786	1	Ejection bottom assembly
29	013791	1	Grill label	82	013739	1	Electrovalve plug connection
30	013790	1	Grill assembly	83	404702	1	Screw thread forming 6 x 3/8
31	013797	4	Screw CHC M5-35	84	013808	1	Wires guide
33	013748	1	Filter	85	013231	1	Maintenance kit (filter + o'ring)
34	013770	1	Cap	86	013811	1	Wire assembly guide
35	013732	1	Spark plug contact assembly	87	013812	1	Electrovalve heat protection
36	013733	1	Motor assembly	▲ 88	013813	4	Screw CHC M5-16
37	013731	1	Spark plug assembly (901706)				
38	321610	1	Retaining ring				
39	334310	1	Motor mount				
40	321590	1	Motor sleeve				
41	013747	1	Wire assembly				
42	013740	1	Cylinder head				
43	012012	1	Cylinder head O-Ring				
44	321660	1	Fan blade assembly				
45	013769	1	Carter				
46	013787	1	Nose protection				
47	013789	1	Belt hook				
48	013792	1	Magazine ball assembly				
49	013788	1	Cover balll				
50	013798	8	Screw Eco-syn Torx 4x12				
51	013793	1	Magazine knob				
52	013730	1	MEFI IM90i				
53	013768	1	Handle assembly				
55	013773	1	Handle label				

■ Apply Loctite RC-620 (Green)

▲ Apply Loctite 243 (Blue)

→ Denotes Change



TORQUE VALUES	
MIN	N.m
MAX	