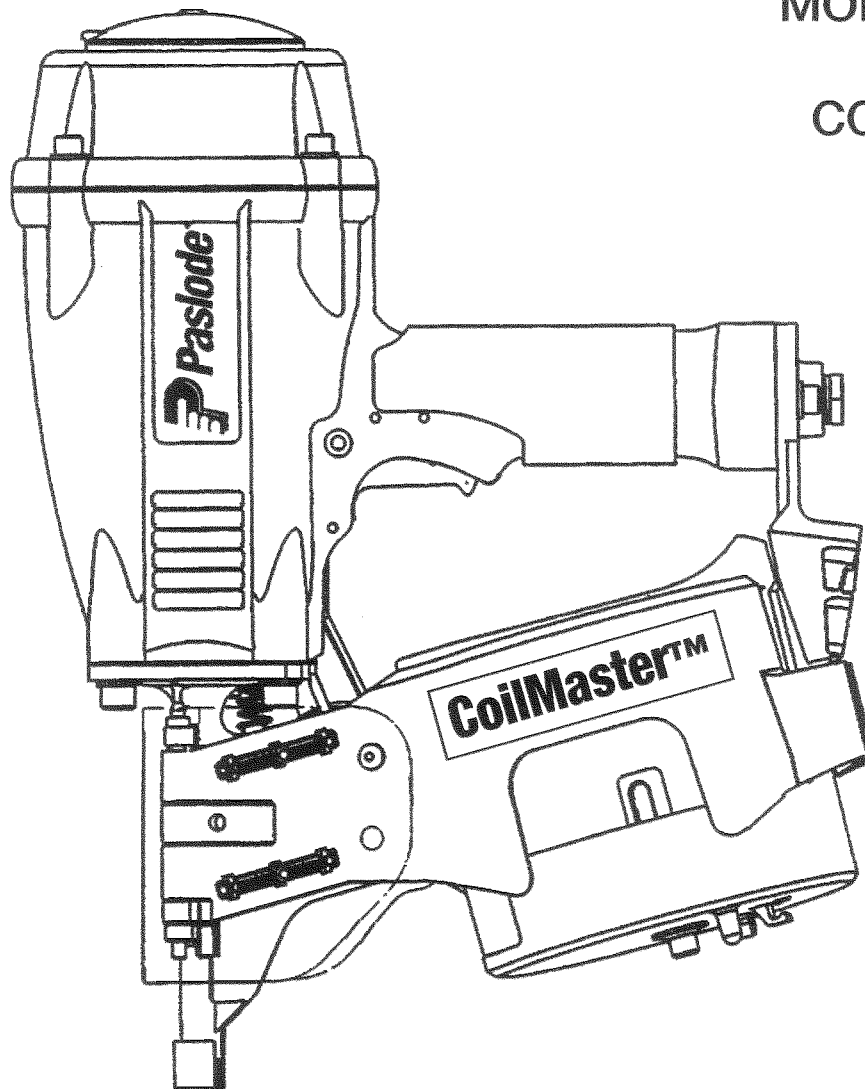




MODEL P350C
CNW-90
COIL NAILER



TOOL SCHEMATIC AND PARTS

IMPORTANT! **DO NOT DESTROY**

Always refer to safety and maintenance manuals #405218 and #405220 for detailed information on this tool. It is the customer's responsibility to have all operators and service personnel read and understand this information.

PARTS LEGEND

P350C / CNW-90

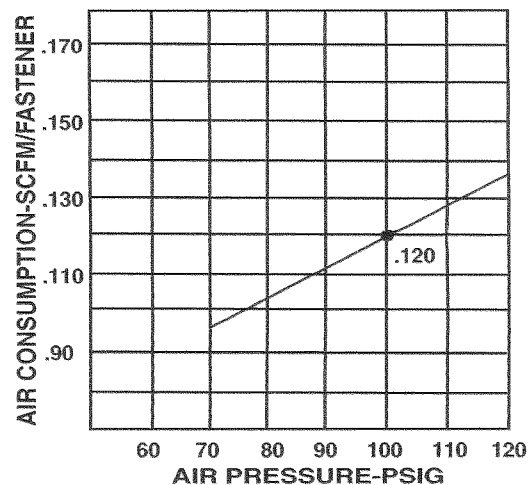
Part No.501555

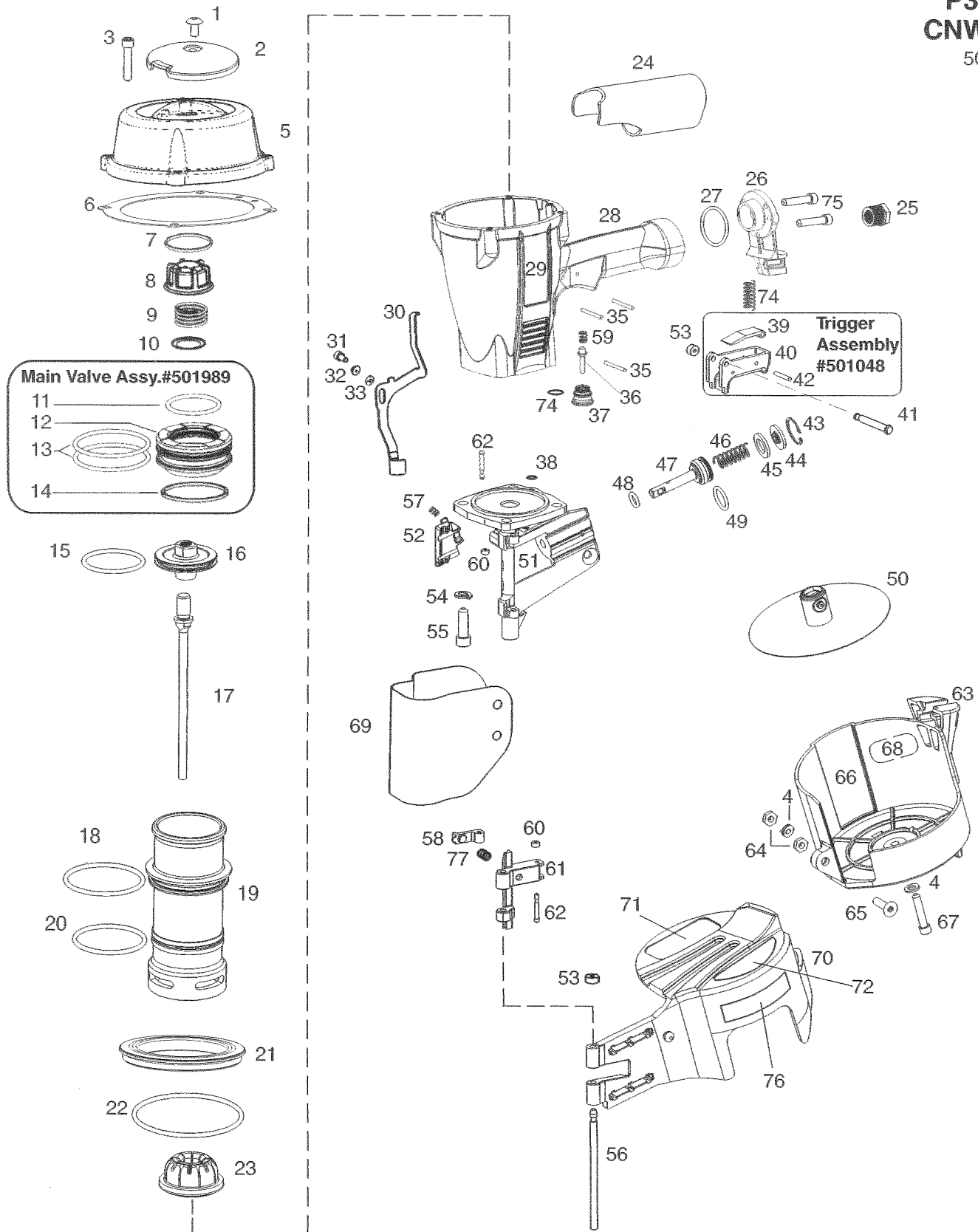
| | | | | | | | |
|------|--------|---|--------------------------|------|--------|---|--------------------------|
| ▲1 | 501043 | 1 | T.H.S.C.S. 1/4-20 x 1/2" | 40 | 501010 | 1 | Trigger |
| 2 | 501016 | 1 | Air Deflector | 41 | 402669 | 1 | Pin, Trigger |
| 3 | 501300 | 4 | S.H.C.S. 1/4-20 x 1-1/4" | 42 | 501009 | 1 | Spirol Pin |
| 4 | 092757 | 2 | Flatwasher 1/4" | 43 | 263239 | 1 | Retaining Ring |
| 5 | 500680 | 1 | Cap | 44 | 402018 | 1 | End Cap, Feeder Body |
| 6 | 501001 | 1 | Gasket, Cap | 45 | 402084 | 1 | Bumper, Feed Piston |
| 7 | 500754 | 1 | Spacer, Exhaust | 46 | 402024 | 1 | Spring, Feed Claw Piston |
| 8 | 500744 | 1 | Stop, Piston | 47 | 500674 | 1 | Feed Claw Piston |
| 9 | 500743 | 1 | Spring, Valve | *48 | 402031 | 1 | O-Ring |
| 10 | 500742 | 1 | Seat, Spring | *49 | 091541 | 1 | O-Ring |
| *11 | 091986 | 1 | O-Ring | 50 | 500803 | 1 | Tray Assembly |
| 12 | 501837 | 1 | Valve Assembly | 51 | 500756 | 1 | Nose |
| *13 | 502089 | 2 | O-Ring | 52 | 500715 | 1 | Feed Claw |
| *14 | 501861 | 1 | O-Ring | 53 | 402668 | 2 | Retaining Washer |
| *15 | 092971 | 1 | O-Ring | 54 | 095417 | 4 | Lockwasher |
| 16 | 500745 | 1 | Piston | ▲55 | 009016 | 4 | S.H.C.S. 5/16-18 x 1" |
| ■*17 | 402021 | 1 | Driver Blade | 56 | 500677 | 1 | Hinge Pin |
| *18 | 500249 | 1 | O-Ring | 57 | 500700 | 1 | Spring, Feed Claw |
| 19 | 500681 | 1 | Sleeve | 58 | 402037 | 1 | Holdback |
| *20 | 092235 | 1 | O-Ring | 59 | 097748 | 1 | Spring |
| 21 | 500779 | 1 | Flange, Sleeve | 60 | 402486 | 2 | Retaining Washer |
| *22 | 501002 | 1 | O-Ring | 61 | 500675 | 1 | Locator |
| *23 | 500866 | 1 | Bumper | 62 | 402487 | 2 | Pivot Pin |
| 24 | 501023 | 1 | Grip | 63 | 500817 | 1 | Magazine |
| 25 | 091622 | 1 | Reducing Pipe Bushing | 64 | 091733 | 2 | Flexloc Thin Nut |
| 26 | 500746 | 1 | End Cap | 65 | 005562 | 1 | F.H.S.C.S. 1/4-20 x 5/8" |
| *27 | 092042 | 1 | O-Ring | 66 | 501080 | 1 | Magazine Adjust. Label |
| 28 | 500739 | 1 | Housing | 67 | 009041 | 3 | S.H.C.S. 1/4 x 3/4" |
| 29 | 501018 | 2 | Label, Housing | 68 | 502903 | 1 | Nameplate |
| 30 | 501006 | 1 | Spring,W.C.E. | 69 | 402662 | 1 | Debris Shield |
| 31 | 004224 | 1 | S.H.C.S. 10 -32 x 3/8" | 70 | 500678 | 1 | Cover, Magazine |
| 32 | 402666 | 1 | Bushing | **71 | 501556 | 1 | Warning Label |
| 33 | 008388 | 1 | Flat Washer #10 | **72 | 502904 | 1 | Warning Label |
| 34 | 500758 | 1 | W.C.E. | 73 | 092174 | 1 | O-Ring |
| 35 | 071297 | 3 | Roll Pin | 74 | 500199 | 1 | Spring |
| 36 | 097746 | 1 | Valve Pin | 75 | 501299 | 2 | S.H.C.S. 1/4-20 x 1" |
| 37 | 401958 | 1 | Valve Body | 76 | 501216 | 1 | Magazine Label |
| *38 | 094295 | 1 | O-Ring | 77 | 402026 | 1 | Holdback Spring |
| 39 | 501008 | 1 | Lever, Bottom Trip | | | | |

* Denotes normal wear items
 ** NOTE: Make sure Warning Labels (501556 and 502904) are properly affixed. Replace if necessary. Labels are available at no charge through the Service Department.

▲ Apply Loctite 242 (Blue) Part No. 093500
 ■ Apply Loctite 680 (Green) Part No. 219241
 → Denotes a change

AIR CONSUMPTION CHART



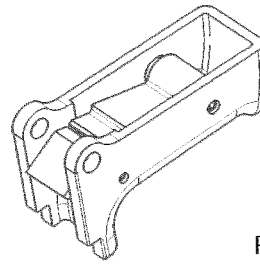


⚠ WARNING
 All parts must be periodically inspected and replaced if worn or broken. Failure to do this can affect the tool's operation and present a safety hazard.

ACCESSORIES

Sequential Operating Kit

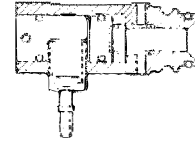
This special attachment is designed for sequential operation (stops “contact” firing). The operator must depress and hold the work contacting element against the work surface before pulling the trigger. This sequence must be repeated each time the tool drives a fastener.



Part No. 501039

Remote Fire Valve

This valve via a positive air signal allows a machine mounted tool to be operated from an automatic air valve or foot pedal system.



Part No. 1X0713

Lubricants and Loctite

Loctite 680 (Green)

Loctite 242 (Blue) 1 oz.

Chemplex 710 Lubricant 1 lb.

Lubricating Oil 8 oz.

Lubricating Oil 8 oz. with Antifreeze



Part No. 219241

Part No. 093500

Part No. 403734

Part No. 219026

Part No. 219090

Tool Cleaner

Ideal cleaner for all Paslode tools.



Part No. 219348

Belt Hook/Hanger

Part No. 219239

Rafter Hook/Hanger

Part No. 219242

Combination Rafter-Belt/Hanger

Part No. 501073

Safety Glasses

Clear



Part No. 401382

SAFETY INSTRUCTIONS

WEAR EYE AND HEARING PROTECTION



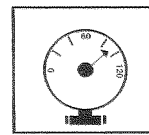
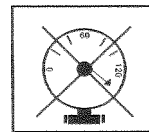
Always wear hearing protection and eye protection devices, including side shields when operating or working in the vicinity of a tool.



Never use any bottled air or gases such as oxygen to operate the tool since they could cause the tool to explode.

DO NOT EXCEED MAXIMUM

RECOMMENDED AIR PRESSURE



Operate the tool using only the recommended air pressure. Do not exceed the maximum air pressure marked on the tool. Be sure the air pressure gauge is operating properly and check it at least twice a day.



An Illinois Tool Works Company

120 Travail Road

Markham, Ontario

L3S 3J1

www.paslode.ca

Printed in U.S.A.

© 2012, Illinois Tool Works, Inc.

501579-7

06/12